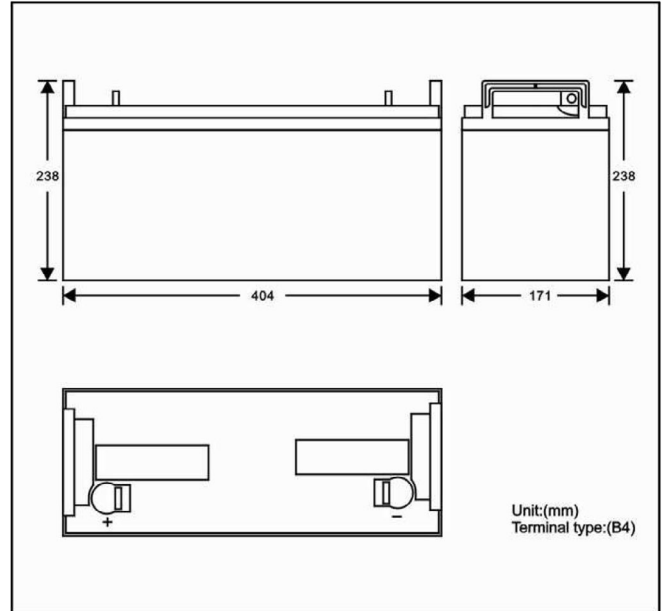




Akumulator żelowy VIPOW 12V 120Ah



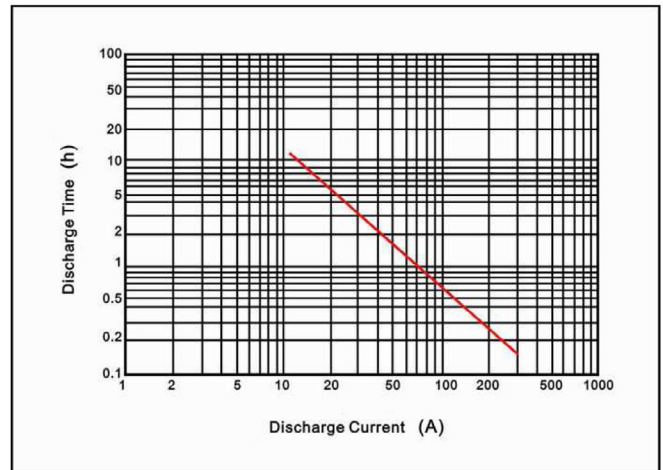
Specifications

| LP120-12 | | |
|--------------------------------|-------------------------------|----------------|
| Nominal Voltage | 12V | |
| Rated Capacity (20 hours rate) | 120Ah | |
| Dimension (±2mm) | Total Height (with terminals) | 238mm |
| | Length | 404mm |
| | Width Height | 171mm 238mm |
| Weight (Approx) | 37.2Kg | |

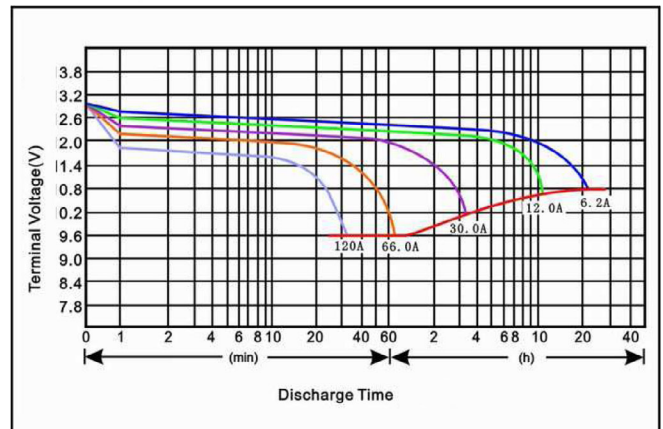
Characteristics

| | | |
|--|--|----------------------------|
| Capacity | 10 hours rate (12A) 3 hours rate (30A) 1 hours rate (66A) | 120Ah 95Ah 72Ah |
| Internal Resistance | Full Charged Battery 25°C | 3.4mΩ |
| Capacity Affected By Temperature (10 hours rate) | 40°C 25°C 0°C -15°C | 102% 100% 85% 62% |
| Residual Capacity (25°C) | Capacity After 3 Months Storage Capacity After 6 Months Storage Capacity After 12 Months Storage | 91% 82% 64% |
| Float Service Life (Above 3 Years) | Voltage 13.6~13.8V/12V (25°C) | |
| Design Life | Above 5 Years | |
| Charge (Constant Voltage 25°C) | Initial Charging Current Less Than 36A; Voltage 14.5~14.9V | |

Discharge Current & Duration Time



Discharge Current 25°C



★ The above are average and data obtained from the first 3 charge/discharge cycles. These are not minimum values.